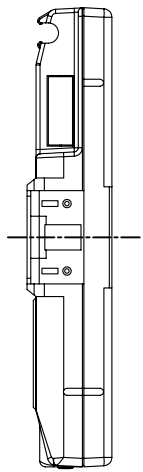
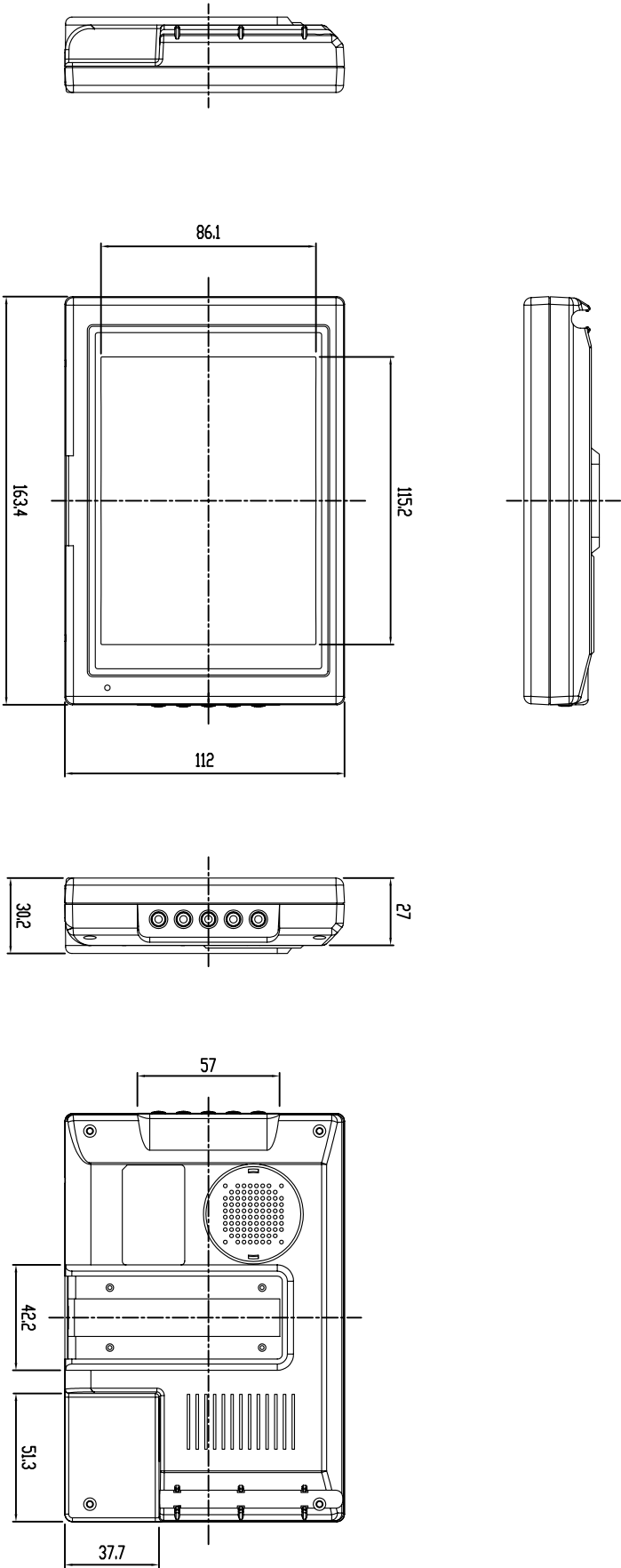


MARK	REVISIONS	DESIGNED	CHECKED	APPROVED
△				



LENGTH (mm)	0-25	25-100	100-250	250-400	400-500	ANGLE (°)
TOLERANCE (±)	0.05	0.1	0.15	0.2	0.3	±0.2

NO.	DESCRIPTION	QTY	MATERIAL	FINISH	REMARK
	3RD ANGLE PROJECTION				
	SCALE	1 / 1	MODEL NO.	CM-562	
	DESIGNED	CHECKED	APPROVED	PART NAME	OUTLINE
				DRAWING NO.	

CAMOS COMPANY LIMITED